

Am27S180/27S181/PS181 Am27S280/27S281/PS281

8,192-Bit (1024 x 8) Bipolar PROM

DISTINCTIVE CHARACTERISTICS

- Fast access time allows high system speed
- 50% power savings on deselected parts — enhances reliability through total system heat reduction
- Platinum-Silicide fuses guarantee high reliability, fast programming and exceptionally high programming yields (typ > 98%)
- Rapid recovery from power-down state provides minimum delay

GENERAL DESCRIPTION

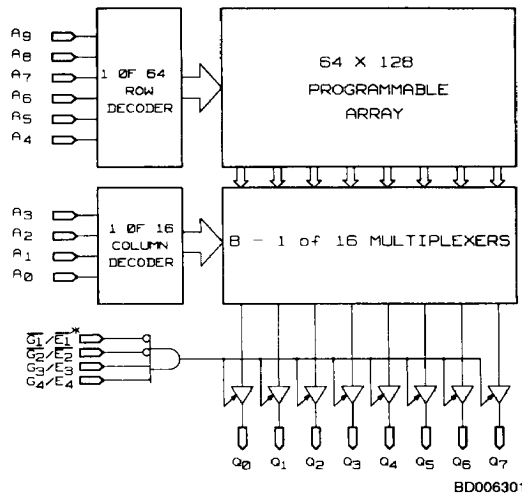
The Am27S180/27S181 (1024 words by 8 bits) is a Schottky TTL Programmable Read-Only Memory (PROM).

This device is available in both open-collector (Am27S180) and three-state (Am27S181) output versions. These outputs are compatible with low-power Schottky bus standards capable of satisfying the requirements of a variety of microprogrammable controls, mapping functions, code con-

version, or logic replacement. Easy word-depth expansion is facilitated by both active LOW (\overline{G}_1 and \overline{G}_2) and active HIGH (G_3 and G_4) output enables.

This device is also available in a 300-mil. lateral-center DIP (Am27S280/27S281), as well as a power-switched three-state version (Am27PS181/27PS281).

BLOCK DIAGRAM



*E nomenclature applies to the power-switched versions only (Am27PSXX).

PRODUCT SELECTOR GUIDE

Open-Collector Part Number	Am27S180A, Am27S280A		Am27S180, Am27S280		-		-	
Three-State Part Number	Am27S181A, Am27S281A		Am27S181, Am27S281		Am27PS181A, Am27PS281A		Am27PS181, Am27PS281	
Address Access Time	35 ns	50 ns	60 ns	80 ns	50 ns	65 ns	65 ns	75 ns
Operating Range	C	M	C	M	C	M	C	M

Publication # 03182 Rev. C Amendment /0
Issue Date: May 1986

4-237

Am27S180/27S181/PS181 Am27S280/27S281/PS281

4