

Am27S20/21

1,024-Bit (256 x 4) Bipolar PROM

Am27S20/21

DISTINCTIVE CHARACTERISTICS

- High speed
- Highly reliable, ultra-fast programming Platinum-Silicide fuses
- High programming yield
- Low-current PNP inputs
- High-current open-collector and three-state outputs
- Fast chip select

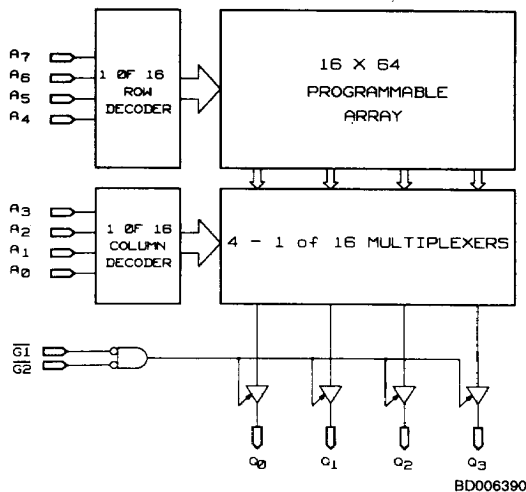
GENERAL DESCRIPTION

The Am27S20/21 (256 words by 4-bits) is a Schottky TTL Programmable Read-Only Memory (PROM).

This device is available in both open-collector (Am27S20) and three-state (Am27S21) output versions. These outputs

are compatible with low-power Schottky bus standards capable of satisfying the requirements of a variety of microprogrammable controls, mapping functions, code version, or logic replacement. Easy word-depth expansion is facilitated by active LOW (\overline{G}_1 and \overline{G}_2) output enables.

BLOCK DIAGRAM



PRODUCT SELECTOR GUIDE

Open-Collector Part Number	27S20A		27S20	
Three-State Part Number	27S21A		27S21	
Address Access Time	30 ns	40 ns	45 ns	60 ns
Operating Range	C	M	C	M

Publication # 03206
 Rev. C
 Amendment /0
 Issue Date: May 1986