

2704—4096-Bit Erasable and Electrically Reprogrammable MOS ROM (512 x 8)

2708—8192-Bit Erasable and Electrically Reprogrammable MOS ROM (1024 x 8)

GENERAL DESCRIPTION

The 2708/2704 are high speed Erasable and Electrically Reprogrammable ROMs (EPROM) ideally suited where fast turn around and patterns experimentation are important requirements.

The 2708/2704 are packaged in a 24 pin dual-in-line package with transparent lid. The transparent lid allows the user to expose the chip to ultraviolet light to erase the bit pattern. A new pattern can then be written into the device.

A pin for pin mask programmed ROM, the Signetics 2607, is available for large volume production on runs of systems initially using the 2708.

The 2708/2704 is fabricated with the time proven n-channel silicon gate technology.

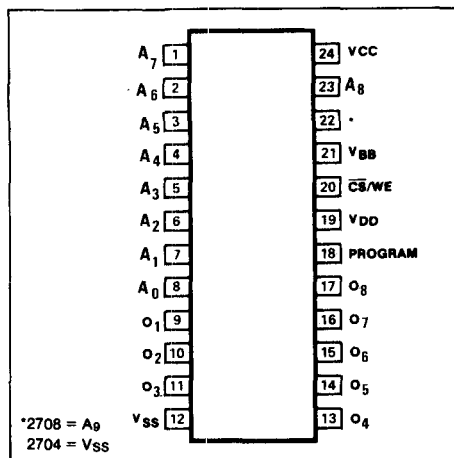
FEATURES

- Organization:
2708: 1024X8
2704: 512X8
- Fast programming-100sec. typ for all 8K bits
- Low power during programming
- Access time: 450ns
- Standard power supplies 12V, ±5V
- Static- no clocks required
- Inputs and outputs TTL compatible during both read and program modes
- Three-state output—OR-tie capability

REFERENCE TABLE

TYPE NO.	STOCK NO.	OUTLINE DRWG. NO.
2704I	56385H	3
2708I	56386F	3

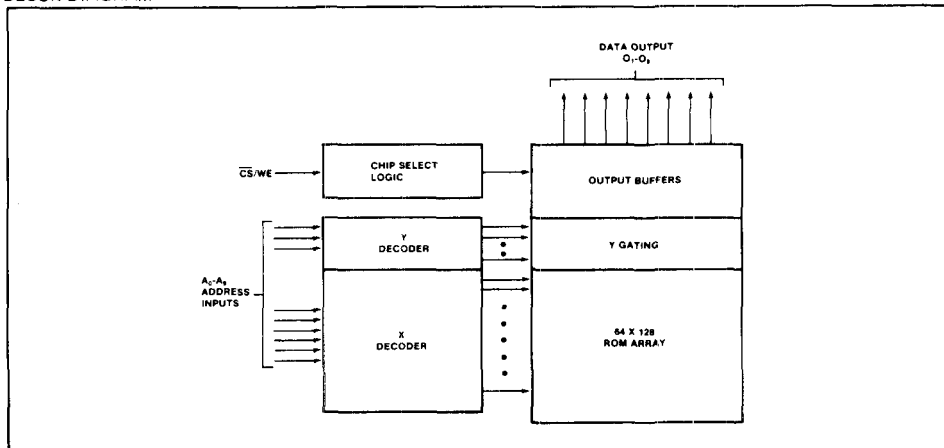
CONNECTION DIAGRAM



MAXIMUM RATINGS

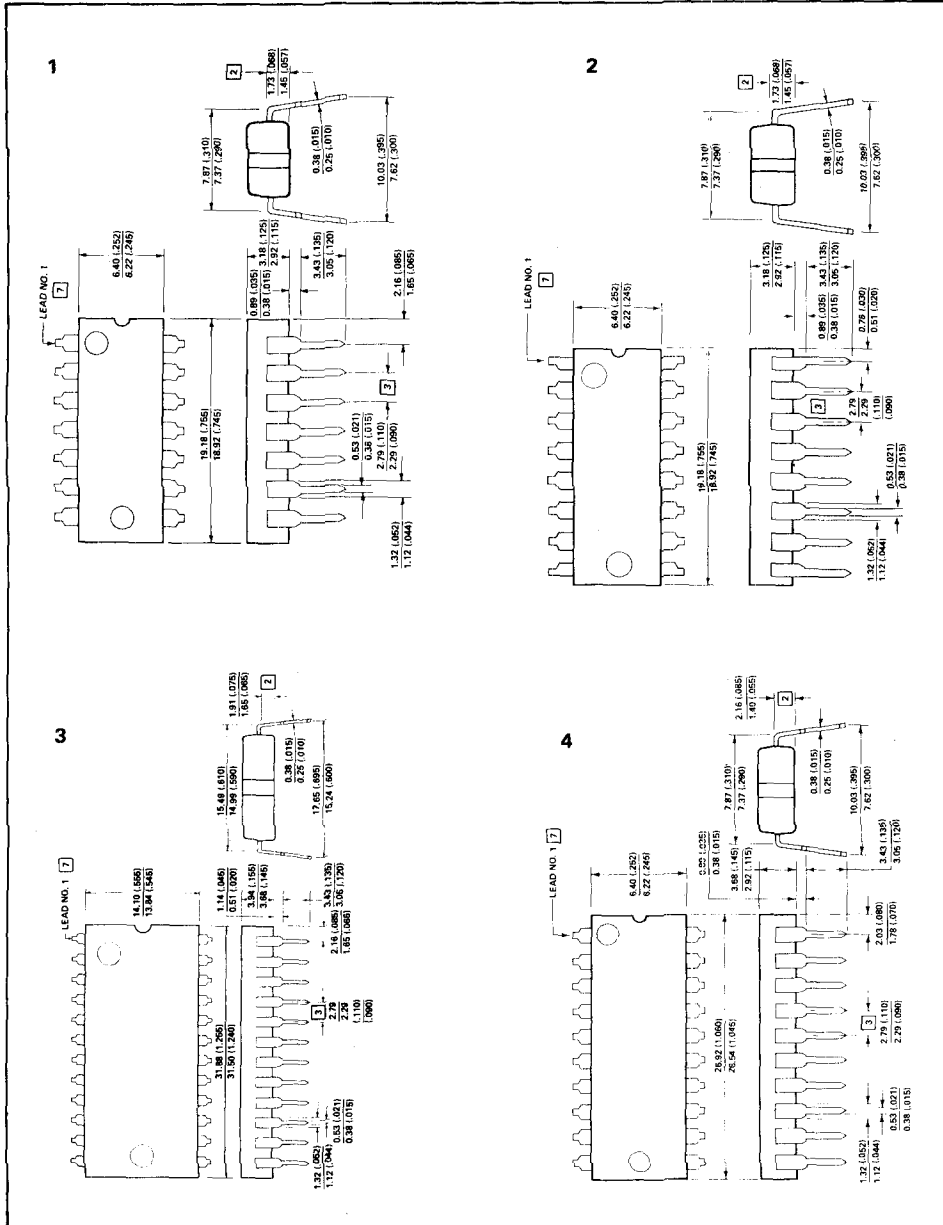
PARAMETER	RATING	UNIT
T_A	Temperature range	°C
	Operating	0 to 70
T_{STG}	Storage	-65 to 125
P_D	Power dissipation	1.5
	All input or output voltage with respect to V_{BB} (except program)	15 to -0.3
	Program input to V_{BB}	35 to -0.3
	Supply voltages V_{CC} and V_{SS} with respect to V_{BB}	15 to -0.3
	V_{DD} with respect to V_{BB}	20 to -0.3

BLOCK DIAGRAM



PLEASE QUOTE STOCK NO. AND MANUFACTURERS PART NO. WHEN ORDERING



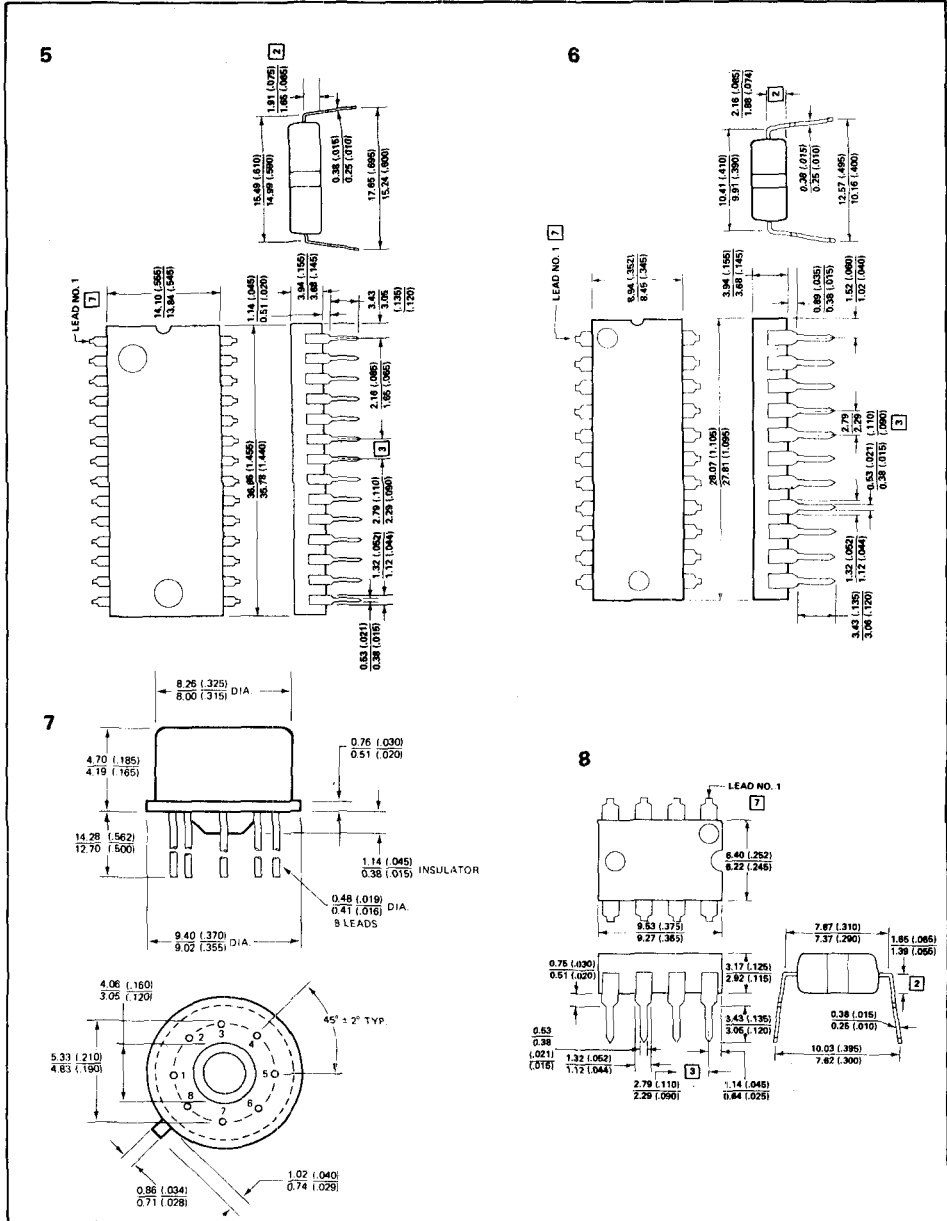


PLEASE QUOTE STOCK NO.
AND MANUFACTURERS PART NO. WHEN ORDERING



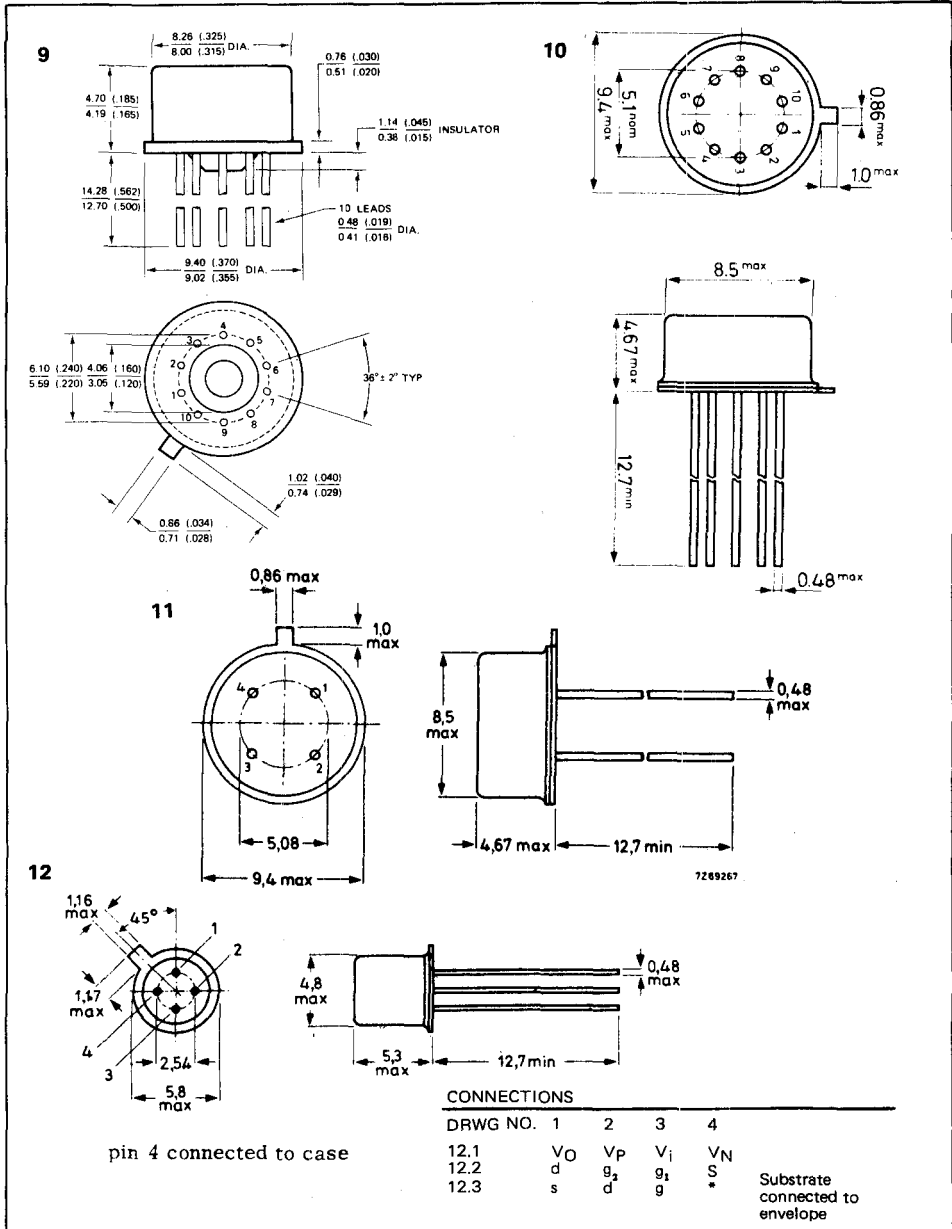
Signetics

Outline Drawings



GEMINI

FOR CURRENT PRICES PHONE HARLOW (0279) 29644

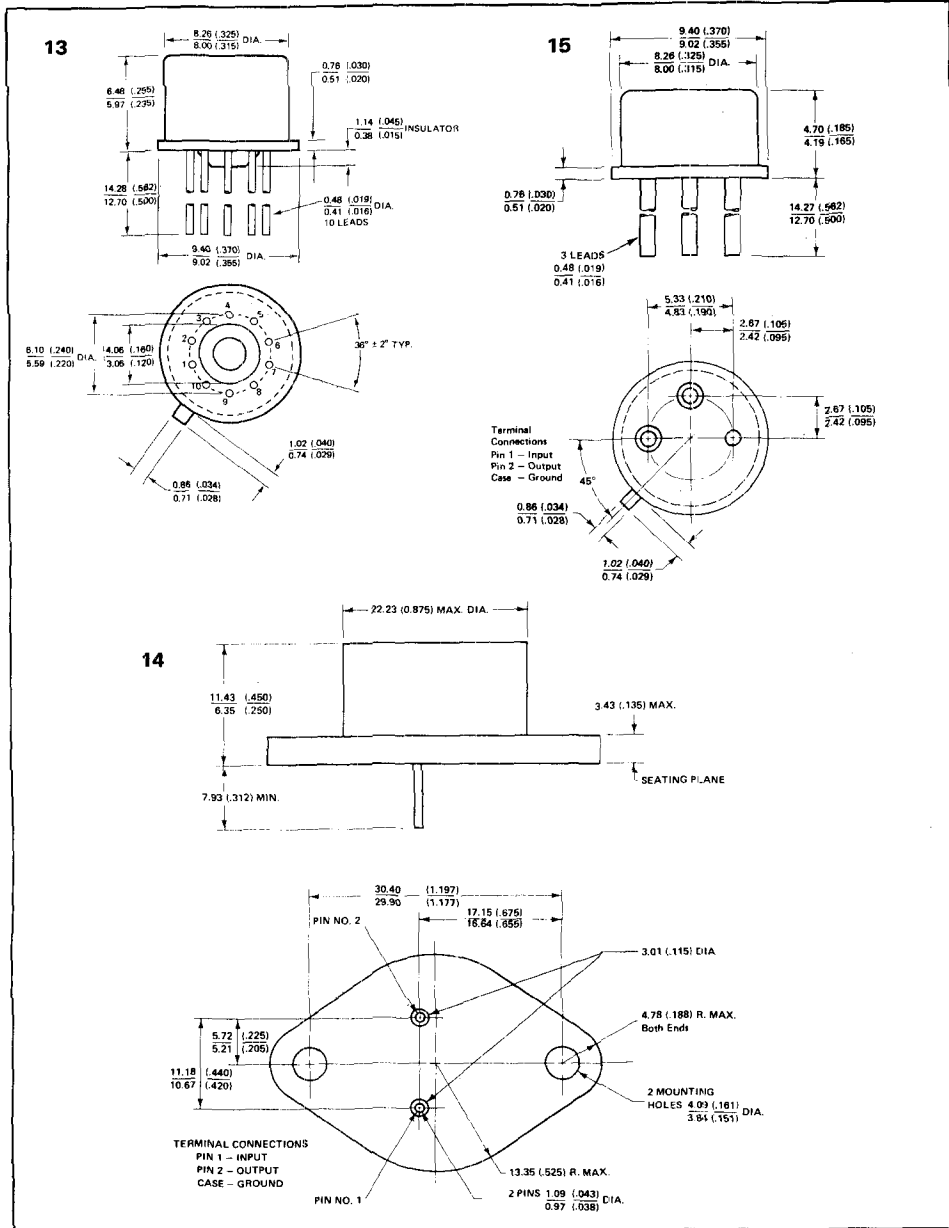


PLEASE QUOTE STOCK NO.
AND MANUFACTURERS PART NO. WHEN ORDERING

ITT GEMINI

Signetics

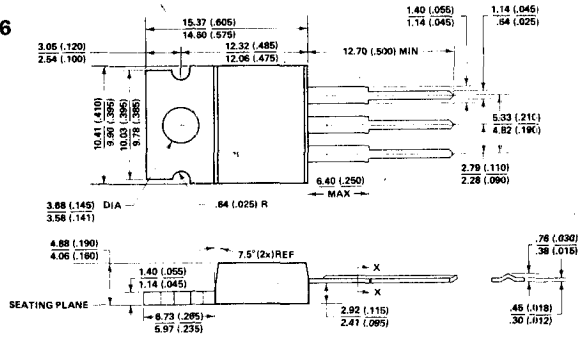
Outline Drawings



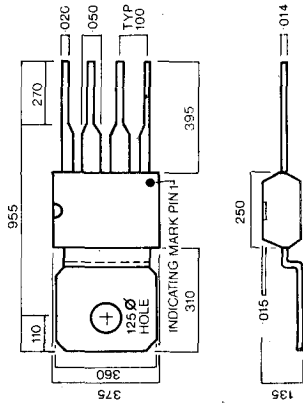
ITT GEMINI

FOR CURRENT PRICES PHONE
HARLOW (0279) 29644

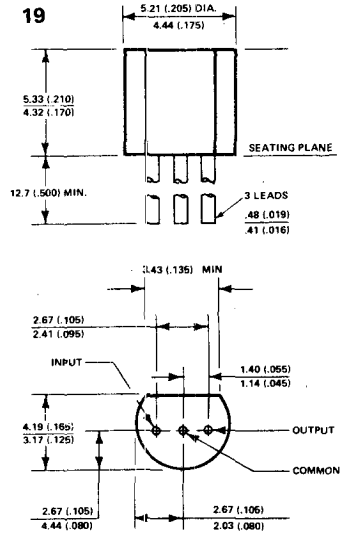
16



17



19



PLEASE QUOTE STOCK NO.
AND MANUFACTURER PART NO. WHEN ORDERING

TTT GEMINI

