

## 27C240 4M (256K x 16) CHMOS EPROM

- JEDEC Approved EPROM Pinout
  - 40-Pin DIP
- Versatile EPROM Features
  - CMOS and TTL Compatibility
  - Two Line Control
- High-Performance
  - 170 ns  $\pm$  10%  $V_{CC}$
  - 50 mA  $I_{CC}$  Active
- Fast Programming
  - Quick-Pulse Programming™ Algorithm
  - Programming Times as Fast as 30 Seconds

Intel's 27C240 is a 5V only, 4,194,304-bit Erasable Programmable Read Only Memory, organized as 262,144 words of 16 bits each. It provides for a simple upgrade from 1 and 2 Mbits.

The 27C240 represents state-of-the-art 1 micron CMOS manufacturing technology while providing unequalled performance. Its 170 ns speed ( $t_{ACC}$ ) optimizes operation with high performance CPUs in applications ranging from numerical control to office automation to telecommunications.

The 27C240 is equally at home in both a TTL or CMOS environment. And like Intel's other high density EPROMs, the 27C240 programs quickly using Intel's industry leading Quick-Pulse Programming™ algorithm.

CHMOS is a patented process of Intel Corporation.

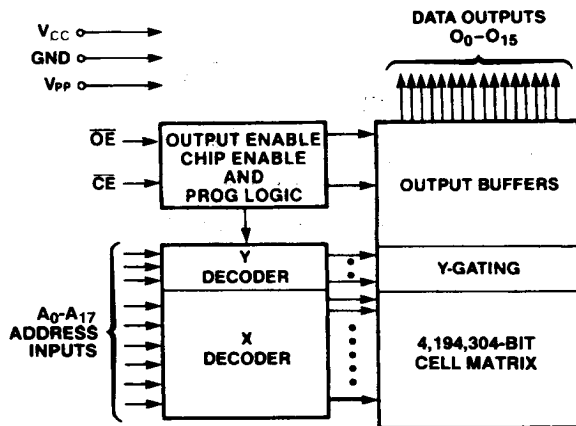
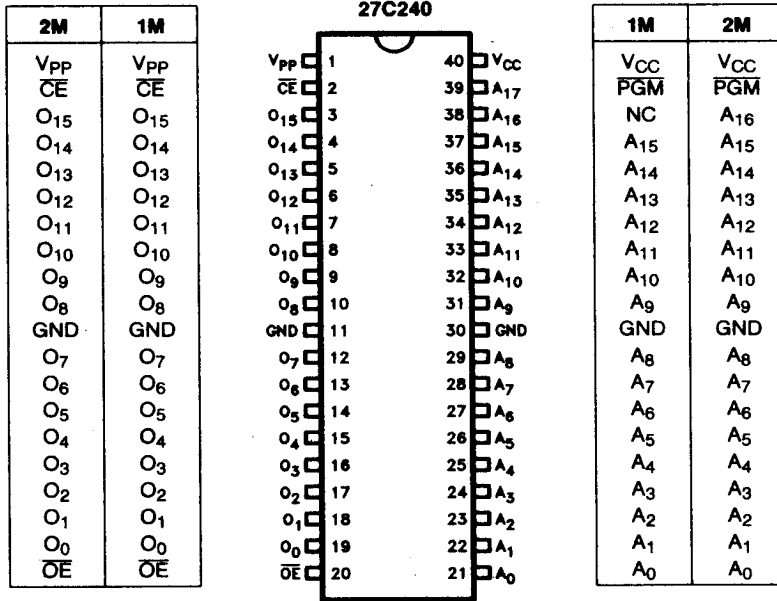


Figure 1. Block Diagram

290229-1

Pin Names

A <sub>0</sub> -A <sub>17</sub>	ADDRESSES
$\overline{CE}$	CHIP ENABLE
$\overline{OE}$	OUTPUT ENABLE
O <sub>0</sub> -O <sub>15</sub>	OUTPUTS
PGM	PROGRAM
NC	NO INTERNAL CONNECT



290229-2

Figure 2. DIP Pin Configuration

**ABSOLUTE MAXIMUM RATINGS\***

- Operating Temperature ..... 0°C to 70°C(1)
- Temperature Under Bias ..... -10°C to 80°C
- Storage Temperature ..... -65°C to 125°C
- Voltage on Any Pin  
(except A<sub>9</sub>, V<sub>CC</sub> and V<sub>PP</sub>)  
with Respect to GND ..... -0.6V to 6.5V(2)
- Voltage on A<sub>9</sub> with  
Respect to GND ..... -0.6V to 13.0V(2)
- V<sub>PP</sub> Supply Voltage  
with Respect to GND ..... -0.6V to 14V(2)
- V<sub>CC</sub> Supply Voltage  
with Respect to GND ..... -0.6V to 7.0V(2)

NOTICE: This data sheet contains information on products in the sampling and initial production phases of development. The specifications are subject to change without notice.

*\*WARNING: Stressing the device beyond the "Absolute Maximum Ratings" may cause permanent damage. These are stress ratings only. Operation beyond the "Operating Conditions" is not recommended and extended exposure beyond the "Operating Conditions" may affect device reliability.*

**READ OPERATION DC CHARACTERISTICS** V<sub>CC</sub> = 5.0V ± 10%

Symbol	Parameter	Notes	Min	Typ	Max	Units	Test Condition
I <sub>LI</sub>	Input Load Current	7		0.01	1.0	μA	V <sub>IN</sub> = 0V to V <sub>CC</sub>
I <sub>LO</sub>	Output Leakage Current				± 10	μA	V <sub>OUT</sub> = 0V to V <sub>CC</sub>
I <sub>SB</sub>	V <sub>CC</sub> Standby Current				1.0	mA	CE = V <sub>IH</sub>
					100	μA	CE = V <sub>CC</sub> ± 0.2V
I <sub>CC</sub>	V <sub>CC</sub> Operating Current	3			50	mA	CE = V <sub>IL</sub> f = 5 MHz, I <sub>OUT</sub> = 0 mA
I <sub>PP</sub>	V <sub>PP</sub> Operating Current	3			10	μA	V <sub>PP</sub> = V <sub>CC</sub>
I <sub>OS</sub>	Output Short Circuit Current	4, 6			100	mA	
V <sub>IL</sub>	Input Low Voltage		-0.5		0.8	V	
V <sub>IH</sub>	Input High Voltage		2.0		V <sub>CC</sub> + 0.5	V	
V <sub>OL</sub>	Output Low Voltage				0.45	V	I <sub>OL</sub> = 2.1 mA
V <sub>OH</sub>	Output High Voltage		2.4			V	I <sub>OH</sub> = -400 μA
V <sub>PP</sub>	V <sub>PP</sub> Operating Voltage	5	V <sub>CC</sub> - 0.7		V <sub>CC</sub>	V	

5

**NOTES:**

1. Operating temperature is for commercial product defined by this specification.
2. Minimum DC voltage is -0.5V on input/output pins. During transitions, this level may undershoot to -2.0V for periods < 20 ns. Maximum DC voltage on input/output pins is V<sub>CC</sub> + 0.5V which, during transitions, may overshoot to V<sub>CC</sub> + 2.0V for periods < 20 ns.
3. Maximum active power usage is the sum I<sub>PP</sub> + I<sub>CC</sub>. Maximum current is with outputs O<sub>0</sub> to O<sub>15</sub> unloaded.
4. Output shorted for no more than one second. No more than one output shorted at a time.
5. V<sub>PP</sub> may be connected directly to V<sub>CC</sub>, or may be one diode voltage drop below V<sub>CC</sub>. V<sub>CC</sub> must be applied simultaneously or before V<sub>PP</sub> and removed simultaneously or after V<sub>PP</sub>.
6. Sampled, not 100% tested.
7. Typical limits are at V<sub>CC</sub> = 5V, T<sub>A</sub> = 25°C.

**READ OPERATION AC CHARACTERISTICS(1)  $V_{CC} = 5.0V \pm 10\%$** 

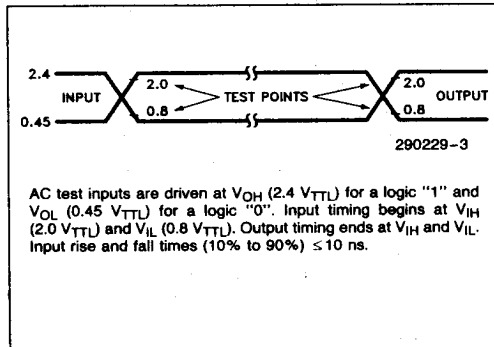
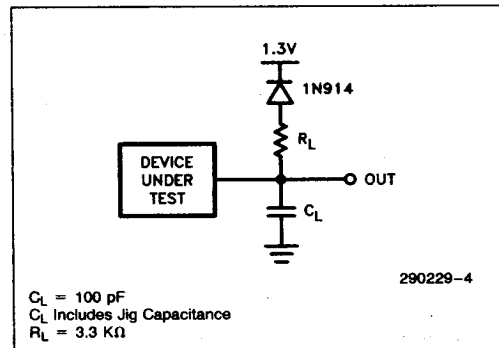
Versions(4)		$V_{CC} \pm 10\%$	27C240-170V10		27C240-200V10		Units
Symbol	Parameter	Notes	Min	Max	Min	Max	
$t_{ACC}$	Address to Output Delay			170		200	ns
$t_{CE}$	$\overline{CE}$ to Output Delay	2		170		200	ns
$t_{OE}$	$\overline{OE}$ to Output Delay	2		65		70	ns
$t_{DF}$	$\overline{OE}$ High to Output High Z	3		55		60	ns
$t_{OH}$	Output Hold from Addresses, $\overline{CE}$ or $\overline{OE}$ Change-Whichever is First	3	0		0		ns

**NOTES:**

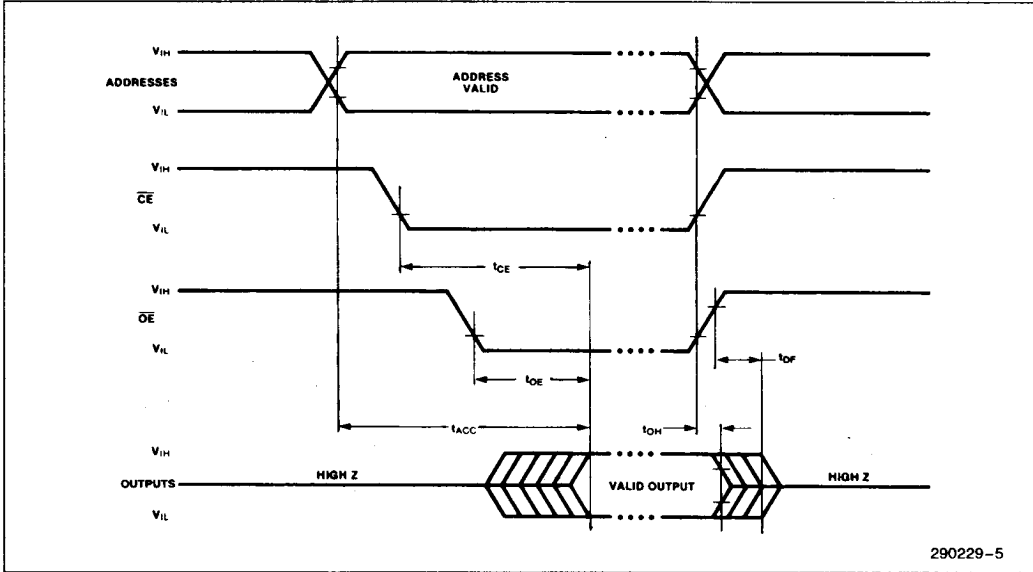
- See AC Input/Output Reference Waveform for timing measurements.
- $\overline{OE}$  may be delayed up to  $t_{CE} - t_{OE}$  after the falling edge of  $\overline{CE}$  without impact on  $t_{CE}$ .
- Sampled, not 100% tested.
- Model number prefixes: No Prefix = Ceramic Dip.
- Typical limits are for  $T_A = 25^\circ C$  and nominal supply voltages.

**CAPACITANCE(3)  $T_A = 25^\circ C, f = 1 \text{ MHz}$** 

Symbol	Parameter	Typ(5)	Max	Unit	Conditions
$C_{IN}$	Input Capacitance	4	8	pF	$V_{IN} = 0V$
$C_{OUT}$	Output Capacitance	8	12	pF	$V_{OUT} = 0V$
$C_{VPP}$	$V_{PP}$ Capacitance	18	25	pF	$V_{PP} = 0V$

**AC INPUT/OUTPUT REFERENCE WAVEFORM**

**AC TESTING LOAD CIRCUIT**


**AC WAVEFORMS**



**DEVICE OPERATION**

The Mode Selection table lists 27C240 operating modes. Read Mode requires a single 5V power supply. All inputs, except V<sub>CC</sub> and V<sub>PP</sub>, and A<sub>9</sub> during intelligent Identifier™ Mode, are TTL or CMOS.

5

**Table 1. Mode Selection**

Mode	Notes	$\overline{CE}$	$\overline{OE}$	A <sub>9</sub>	A <sub>0</sub>	V <sub>PP</sub>	V <sub>CC</sub>	Outputs	
Read	1	V <sub>IL</sub>	V <sub>IL</sub>	X	X	V <sub>CC</sub>	V <sub>CC</sub>	D <sub>OUT</sub>	
Output Disable		V <sub>IL</sub>	V <sub>IH</sub>	X	X	V <sub>CC</sub>	V <sub>CC</sub>	High Z	
Standby		V <sub>IH</sub>	X	X	X	V <sub>CC</sub>	V <sub>CC</sub>	High Z	
Program	2	V <sub>IL</sub>	V <sub>IH</sub>	X	X	V <sub>PP</sub>	V <sub>CP</sub>	D <sub>IN</sub>	
Program Verify		V <sub>IH</sub>	V <sub>IL</sub>	X	X	V <sub>PP</sub>	V <sub>CP</sub>	D <sub>OUT</sub>	
Program Inhibit		V <sub>IH</sub>	V <sub>IH</sub>	X	X	V <sub>PP</sub>	V <sub>CP</sub>	High Z	
intelligent Identifier	Manufacturer	2, 3	V <sub>IL</sub>	V <sub>IL</sub>	V <sub>ID</sub>	V <sub>IL</sub>	V <sub>CC</sub>	V <sub>CC</sub>	0089 H
	Device		V <sub>IL</sub>	V <sub>IL</sub>	V <sub>ID</sub>	V <sub>IH</sub>	V <sub>CC</sub>	V <sub>CC</sub>	44EEH

**NOTES:**

1. X can be V<sub>IL</sub> or V<sub>IH</sub>
2. See DC Programming Characteristics for V<sub>CP</sub>, V<sub>PP</sub> and V<sub>ID</sub> voltages.
3. A<sub>1</sub>-A<sub>8</sub>, A<sub>10</sub>-A<sub>17</sub> = V<sub>IL</sub>

## Read Mode

The 27C240 has two control functions; both must be enabled to obtain data at the outputs.  $\overline{CE}$  is the power control and device select.  $\overline{OE}$  controls the output buffers to gate data to the outputs. With addresses stable, the address access time ( $t_{ACC}$ ) equals the delay from  $\overline{CE}$  to output ( $t_{CE}$ ). Outputs display valid data  $t_{OE}$  after  $\overline{OE}$ 's falling edge, assuming  $t_{ACC}$  and  $t_{CE}$  times are met.

**$V_{CC}$  must be applied simultaneously or before  $V_{PP}$  and removed simultaneously or after  $V_{PP}$ .**

## Two Line Output Control

EPROMs are often used in larger memory arrays. Intel provides two control inputs to accommodate multiple memory connections. Two-line control provides for:

- lowest possible memory power dissipation
- complete assurance that data bus contention will not occur

To efficiently use these two control inputs, an address decoder should enable  $\overline{CE}$ , while  $\overline{OE}$  should be connected to all memory devices and the system's  $\overline{READ}$  control line. This assures that only selected memory devices have active outputs while deselected memory devices are in Standby Mode.

## Standby Mode

Standby Mode substantially reduces  $V_{CC}$  current. When  $\overline{CE} = V_{IH}$ , the outputs are in a high impedance state, independent of  $\overline{OE}$ .

## Program Mode

**Caution: Exceeding 14V on  $V_{PP}$  will permanently damage the device.**

Initially, and after each erasure, all EPROM bits are in the "1" state. Data is introduced by selectively programming "0s" into the desired bit locations. Although only "0s" are programmed, the data word can contain both "1s" and "0s". Ultraviolet light erasure is the only way to change "0s" to "1s".

Program Mode is entered when  $V_{PP}$  is raised to 12.75V. Data is introduced by applying a 16-bit word to the output pins. Pulsing  $\overline{CE}$  low while  $\overline{OE} = V_{IH}$  programs that data into the device.

## Program Verify

A verify should be performed following a program operation to determine that bits have been correctly

programmed. With  $V_{CC}$  at 6.25V, a substantial program margin is ensured. The verify is performed with  $\overline{CE}$  at  $V_{IH}$ . Valid data is available  $t_{OE}$  after  $\overline{OE}$  falls low.

## Program Inhibit

Program Inhibit Mode allows parallel programming of multiple EPROMs with different data.  $\overline{CE}$ -high inhibits programming of non-targeted devices. Except for  $\overline{CE}$  and  $\overline{OE}$ , parallel EPROMs may have common inputs.

## intelligent Identifier™ Mode

The intelligent Identifier Mode will determine an EPROM's manufacturer and device type, allowing programming equipment to automatically match a device with its proper programming algorithm.

This mode is activated when a programmer forces  $12V \pm 0.5V$  on  $A_9$ . With  $\overline{CE}$ ,  $\overline{OE}$ ,  $A_1-A_8$ , and  $A_{10}-A_{17}$  at  $V_{IL}$ ,  $A_0 = V_{IL}$  will present the manufacturer code and  $A_0 = V_{IH}$  the device code. This mode functions in the  $25^\circ C \pm 5^\circ C$  ambient temperature range required during programming.

## SYSTEM CONSIDERATIONS

EPROM power switching characteristics require careful device decoupling. System designers are interested in 3 supply current issues: standby current levels ( $I_{SB}$ ), active current levels ( $I_{CC}$ ), and transient current peaks produced by falling and rising edges of  $\overline{CE}$ . Transient current magnitudes depend on the device output's capacitive and inductive loading. Two-line control and proper decoupling capacitor selection will suppress transient voltage peaks. Each device should have a  $0.1 \mu F$  ceramic capacitor connected between its  $V_{CC}$  and GND. This high frequency, low inherent-inductance capacitor should be placed as close as possible to the device. Additionally, for every 8 devices, a  $4.7 \mu F$  electrolytic capacitor should be placed at the array's power supply connection between  $V_{CC}$  and GND. The bulk capacitor will overcome voltage slumps caused by PC board trace inductances.

## ERASURE CHARACTERISTICS

Erasure begins when EPROMs are exposed to light with wavelengths shorter than approximately 4000 Angstroms ( $\text{\AA}$ ). It should be noted that sunlight and certain fluorescent lamps have wavelengths in the 3000 $\text{\AA}$ -4000 $\text{\AA}$  range. Data shows that constant exposure to room level fluorescent lighting can erase an EPROM in approximately 3 years, while it takes

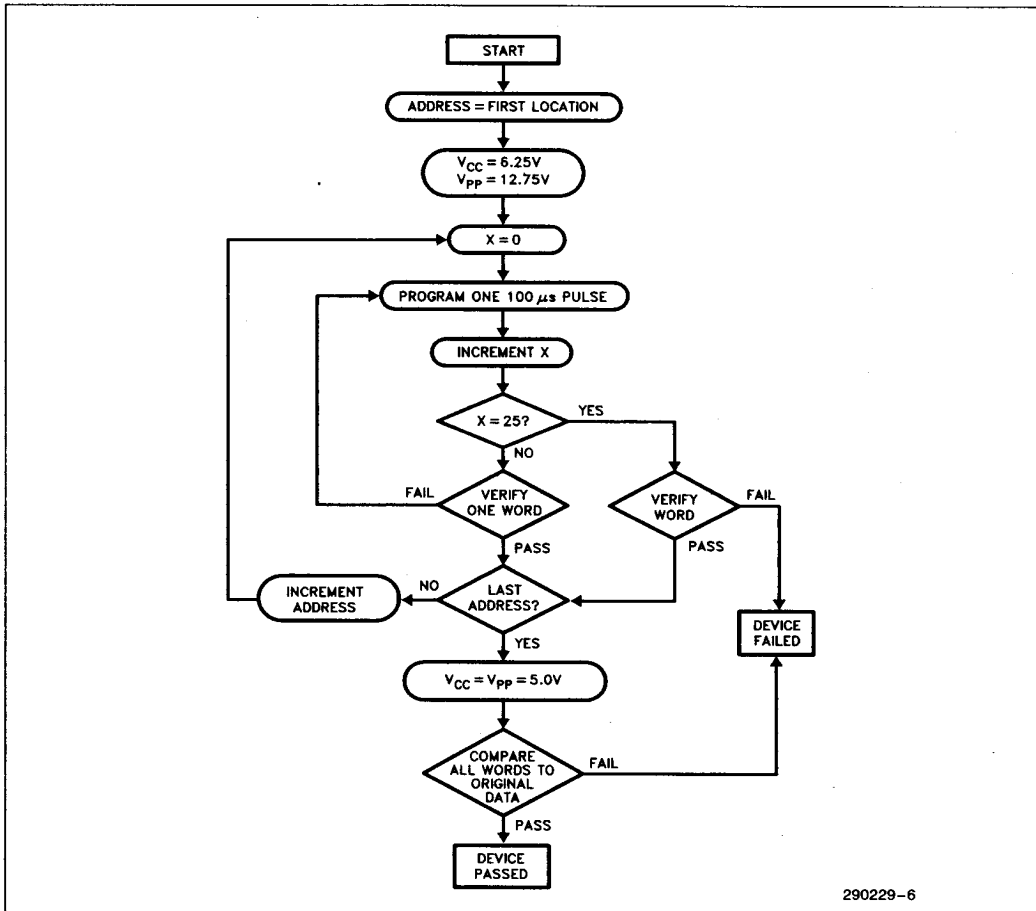


Figure 3. Quick-Pulse Programming Algorithm

290229-6

5

approximately 1 week when exposed to direct sunlight. If the device is exposed to these lighting conditions for extended periods, opaque labels should be placed over the window to prevent unintentional erasure.

The recommended erasure procedure is exposure to ultraviolet light of wavelength 2537Å. The integrated dose (UV intensity × exposure time) for erasure should be a minimum of 15 Wsec/cm<sup>2</sup>. Erasure time is approximately 15 to 20 minutes using an ultraviolet lamp with a 12000 μW/cm<sup>2</sup> power rating. The EPROM should be placed within 1 inch of the lamp tubes. An EPROM can be permanently damaged if the integrated dose exceeds 7258 Wsec/cm<sup>2</sup> (1 week @ 12000 μW/cm<sup>2</sup>).

**Quick-Pulse Programming Algorithm**

The Quick-Pulse Programming algorithm programs Intel's 27C240. Developed to substantially reduce programming throughput, this algorithm can program the 27C240 as fast as 30 seconds. Actual programming time depends on programmer overhead.

The Quick-Pulse Programming algorithm employs a 100 μs pulse followed by a word verification to determine when the addressed word has been successfully programmed. The algorithm terminates if 25 attempts fail to program a word.

The entire program pulse/word verify sequence is performed with V<sub>PP</sub> = 12.75V and V<sub>CC</sub> = 6.25V. When programming is complete, all words are compared to the original data with V<sub>CC</sub> = V<sub>PP</sub> = 5.0V.

**DC PROGRAMMING CHARACTERISTICS**  $T_A = 25^\circ\text{C} \pm 5^\circ\text{C}$ 

Symbol	Parameter	Notes	Min	Typ	Max	Unit	Test Condition
$I_{LI}$	Input Load Current				1	$\mu\text{A}$	$V_{IN} = V_{IL}$ or $V_{IH}$
$I_{CP}$	$V_{CC}$ Program Current	1			50	$\text{mA}$	$\overline{CE} = V_{IL}$
$I_{PP}$	$V_{PP}$ Program Current	1			50	$\text{mA}$	$\overline{CE} = V_{IL}$
$V_{IL}$	Input Low Voltage		-0.1		0.8	$\text{V}$	
$V_{IH}$	Input High Voltage		2.4		6.5	$\text{V}$	
$V_{OL}$	Output Low Voltage (Verify)				0.45	$\text{V}$	$I_{OL} = 2.1 \text{ mA}$
$V_{OH}$	Output High Voltage (Verify)		3.5			$\text{V}$	$I_{OH} = -2.5 \text{ mA}$
$V_{ID}$	$A_9$ intelligent Identifier Voltage		11.5	12.0	12.5	$\text{V}$	
$V_{PP}$	$V_{PP}$ Program Voltage	2, 3	12.5	12.75	13.0	$\text{V}$	
$V_{CC}$	$V_{CC}$ Supply Voltage (Program)	2	6.0	6.25	6.5	$\text{V}$	

**AC PROGRAMMING CHARACTERISTICS(4)**  $T_A = 25^\circ\text{C} \pm 5^\circ\text{C}$ 

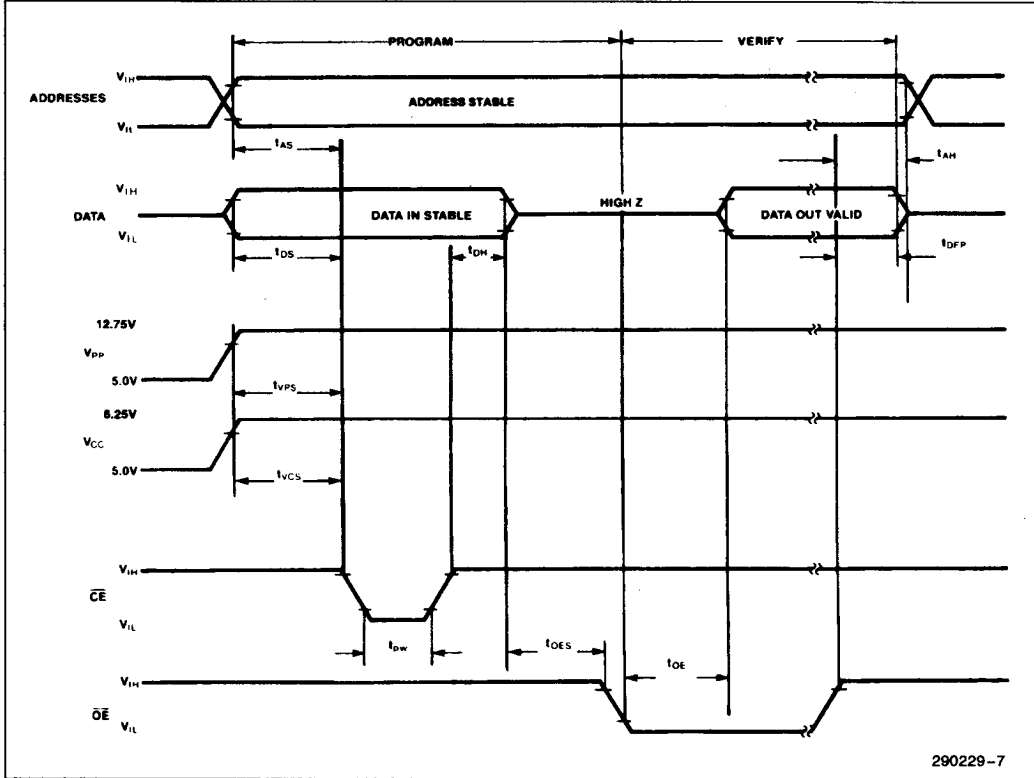
Symbol	Parameter	Notes	Min	Typ	Max	Unit
$t_{VCS}$	$V_{CP}$ Setup Time	2	2			$\mu\text{s}$
$t_{VPS}$	$V_{PP}$ Setup Time	2	2			$\mu\text{s}$
$t_{AS}$	Address Setup Time		2			$\mu\text{s}$
$t_{DS}$	Data Setup Time		2			$\mu\text{s}$
$t_{PW}$	$\overline{CE}$ Program Pulse Width		95	100	105	$\mu\text{s}$
$t_{DH}$	Data Hold Time		2			$\mu\text{s}$
$t_{OES}$	$\overline{OE}$ Setup Time		2			$\mu\text{s}$
$t_{OE}$	Data Valid from $\overline{OE}$	5			150	$\text{ns}$
$t_{DFP}$	$\overline{OE}$ High to Output High Z	5, 6	0		130	$\text{ns}$
$t_{AH}$	Address Hold Time		0			$\mu\text{s}$

**NOTES:**

- Maximum current is with outputs  $O_0$ – $O_{15}$  unloaded.
- $V_{CP}$  must be applied simultaneously or before  $V_{PP}$  and removed simultaneously or after  $V_{PP}$ .
- When programming, a 0.1  $\mu\text{F}$  capacitor is required across  $V_{PP}$  and GND to suppress spurious voltage transients which can damage the device.
- See AC Input/Output Reference Waveform for timing measurements.
- $t_{OE}$  and  $t_{DFP}$  are device characteristics, but must be accommodated by the programmer.
- Sampled, not 100% tested.



**PROGRAMMING WAVEFORMS**



5

**REVISION HISTORY**

Number	Description
04	Deleted -150 speed bin